

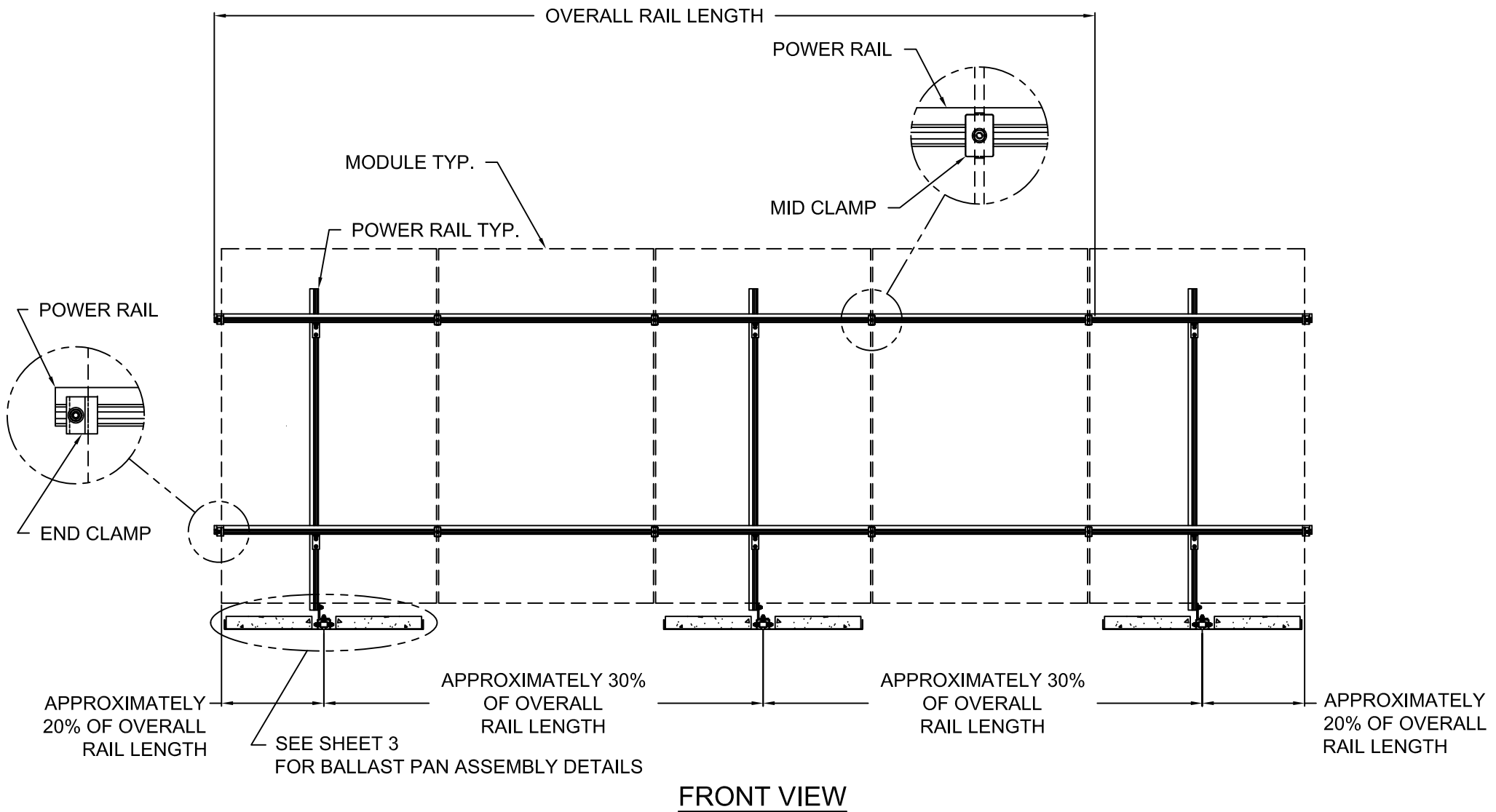

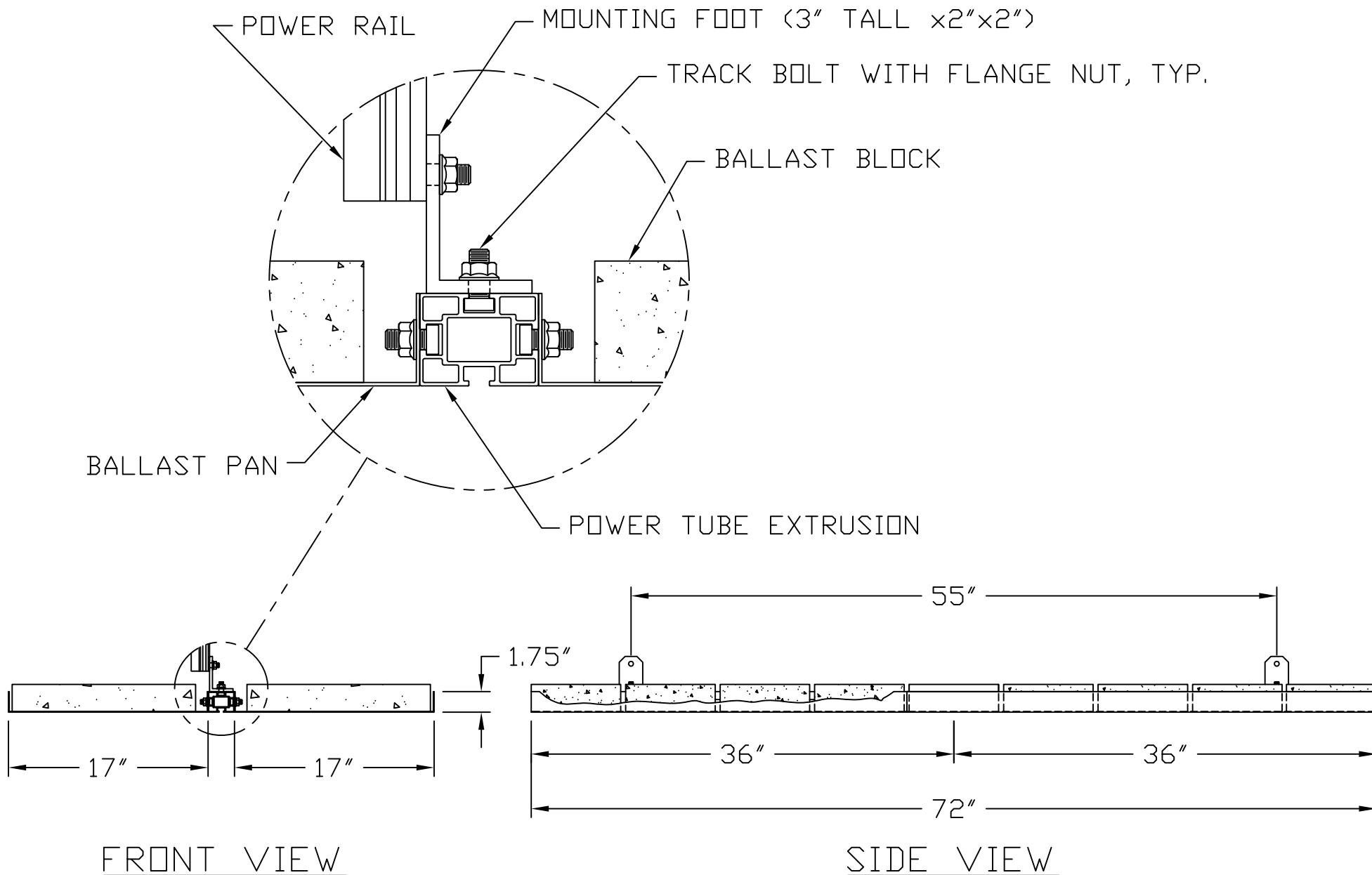


SIDE VIEW

	DIRECT POWER AND WATER 4000 VASSAR DRIVE NE ALBUQUERQUE, NEW MEXICO 87107	
	TITLE: BRM INSTALLATION GUIDELINES	
FOR: 54 BLOCK BRM	DRAWN BY: WILL G.  DATE: 3-12-09	ENGINEER: J.R. SHT. 1
THIS DRAWING IS THE PROPERTY OF DPW SOLAR, AND CANNOT BE USED, COPIED, OR DISCLOSED WITHOUT PERMISSION.		



 DPW SOLAR	DIRECT POWER AND WATER 4000 VASSAR DRIVE NE ALBUQUERQUE, NEW MEXICO 87107	
	TITLE: BRM INSTALLATION GUIDELINES	
FOR: 54 BLOCK BRM	DRAWN BY: WILL G.	ENGINEER: J.R.
	DATE: 3-12-09	SHT. 2
THIS DRAWING IS THE PROPERTY OF DPW SOLAR, AND CANNOT BE USED, COPIED, OR DISCLOSED WITHOUT PERMISSION.		



NOTE: TRAYSIZE AND REQUIRED BALLAST
MAY VARY BASED ON MODULE SIZE
AND QUANTITY.



DIRECT POWER AND WATER
4000 VASSAR DRIVE NE
ALBUQUERQUE, NEW MEXICO 87107

TITLE: BRM INSTALLATION GUIDELINES

FOR: 54 BLOCK BRM	DRAWN BY: WILL G.	ENGINEER: J.R.
	DATE: 3-12-09	SHT. 3

THIS DRAWING IS THE PROPERTY OF DPW SOLAR, AND CANNOT
BE USED, COPIED, OR DISCLOSED WITHOUT PERMISSION.